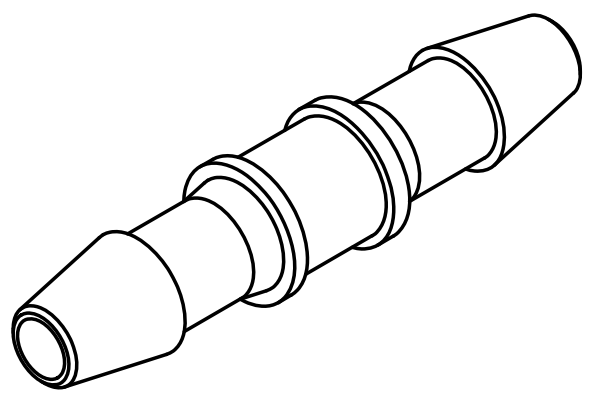



SECTION A-A



REFERENCE ONLY

 <b>Injectech</b>	
TITLE Straight Connector to 1/8" Barbs	
SIZE A	DWG NO IC18
KSS	DATE 06/27/2017
SCALE: NOT TO SCALE	SHEET 1 OF 1