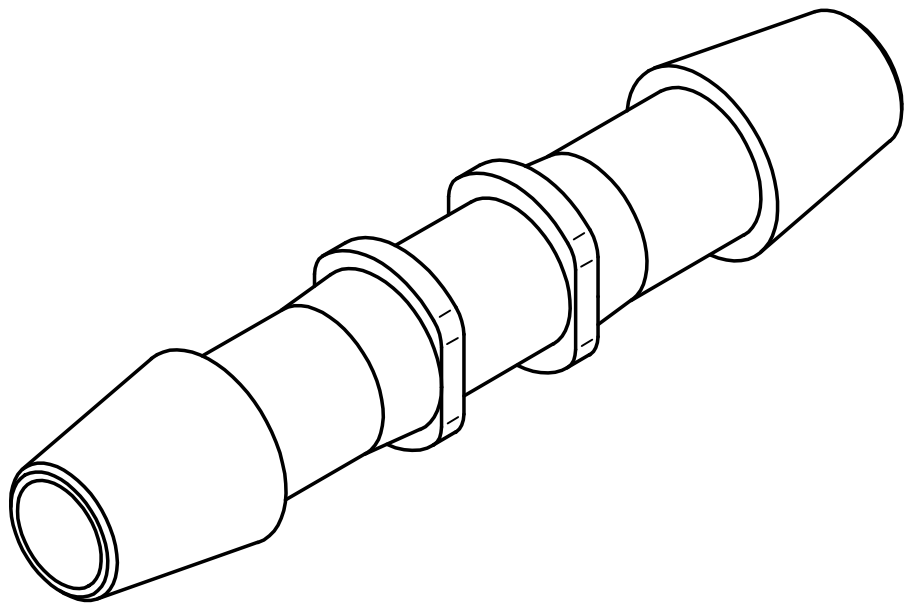



SECTION A-A



REFERENCE ONLY

 Injectech	
TITLE Straight Connector to 1/4" Barbs	
SIZE A	DWG NO IC14
KSS	DATE 01/24/2018
SCALE: NOT TO SCALE	SHEET 1 OF 1