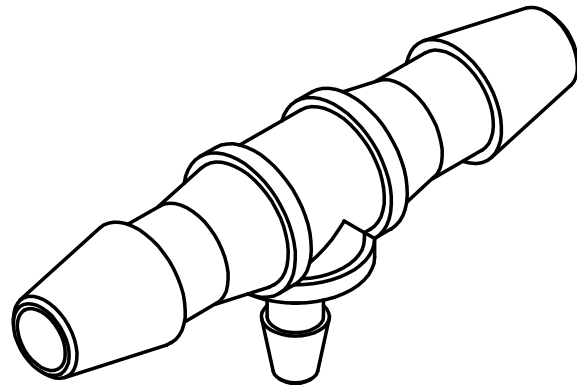



SECTION A-A



REFERENCE ONLY

 Injectech	
TITLE Tee Reducing Connector with 1/8" Barbs to 1/16" Barb	
SIZE A	DWG NO T18L116
KSS	DATE 01/24/2018
SCALE: NOT TO SCALE	SHEET 1 OF 1