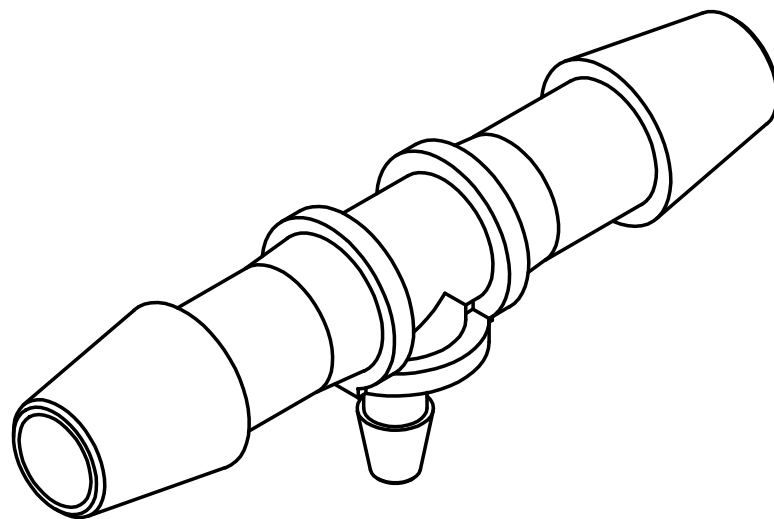


SECTION A-A



REFERENCE ONLY



TITLE
Tee Reducing Connector with 1/4" Barbs to 3/32" Barb

SIZE A	DWG NO T14L332
-----------	-------------------

KSS	DATE 01/24/2018
-----	--------------------

SCALE: NOT TO SCALE	SHEET 1 OF 1
---------------------	--------------