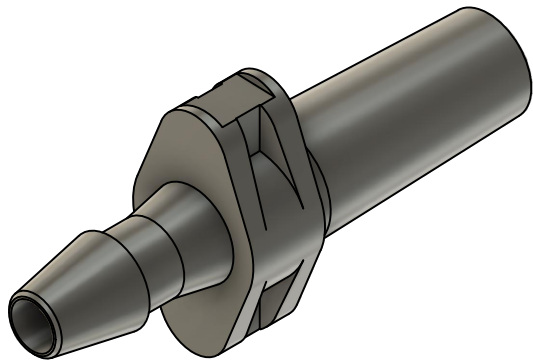



SECTION A-A



REFERENCE ONLY

			
TITLE			
Male Slip Luer to 3/32" Barb; Special			
SIZE	DWG NO	REV	
A	S03332		
DRAWN	CH	DATE	5/27/2021
SCALE:	NTS	SHEET 1/1	