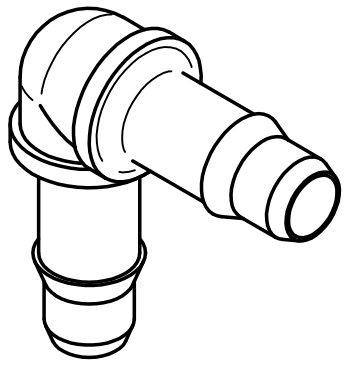



SECTION A-A



REFERENCE ONLY

 Injectech	
TITLE Elbow Connector to Rigid 1/8" Barbs	
SIZE A	DWG NO LR18
KSS	DATE 01/23/2018
SCALE: NOT TO SCALE	SHEET 1 OF 1