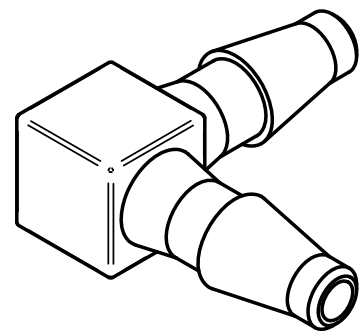



SECTION A-A



REFERENCE ONLY

 Injectech	
TITLE	
Elbow Connector to 3/32" Barbs	
SIZE	DWG NO
A	L332
KSS	DATE 06/27/2017
SCALE: NOT TO SCALE	SHEET 1 OF 1