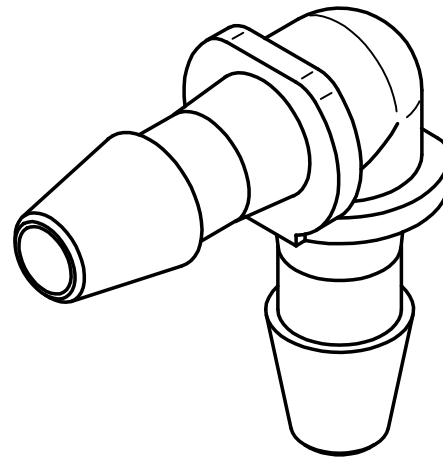



SECTION A-A



REFERENCE ONLY

 <b>Injectech</b>	
TITLE	
Elbow Connector to 5/32" Barbs	
SIZE	DWG NO
A	IL532
KSS	DATE 01/25/2018
SCALE: NOT TO SCALE	SHEET 1 OF 1