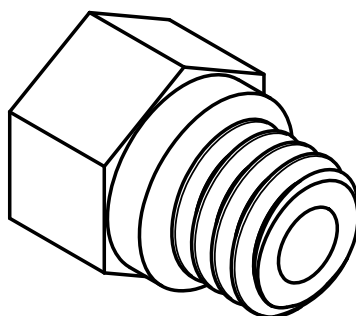



SECTION A-A



REFERENCE ONLY

| | |
|---|-----------------|
|  Injectech | |
| TITLE Threaded 10-32 UNF Plug | |
| SIZE A | DWG NO I10P |
| KSS | DATE 06/27/2017 |
| SCALE: NOT TO SCALE | SHEET 1 OF 1 |