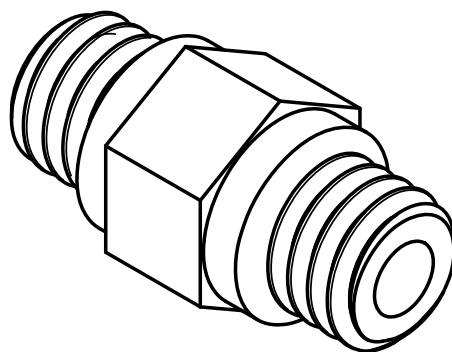



SECTION A-A



REFERENCE ONLY

 Injectech	
TITLE Threaded 10-32 UNF Nipple	
SIZE A	DWG NO I10N
KSS	DATE 06/27/2017
SCALE: NOT TO SCALE	SHEET 1 OF 1