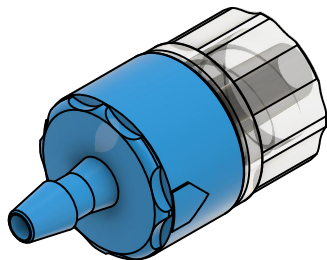
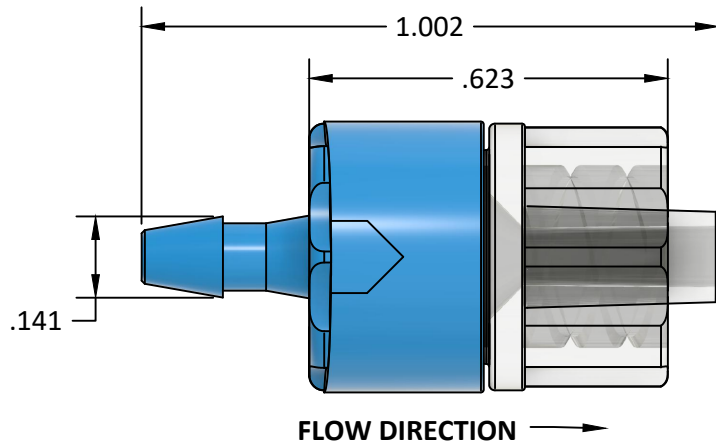


Notes:

1. Housing materials: ABS
2. Filter, Check valve materials: PS, HDPE, Silicone
3. 80369-7



**REFERENCE ONLY**

<i>Technical Property*</i>	<i>Parameter*</i>
Check valve standby position:	Closed
Crack pressure (first used):	≤ 8 mbar
Counterflow pressure resistance:	2 bar
Pressure resistance in flow direction:	4 bar
<sup>1</sup> Volumetric flow rate with 0.9% saline solution:	≥ 150 ml/min
<sup>1</sup> Volumetric flow rate with glucose 40:	≥ 90 ml/min
Hydrophobicity of filter:	140 cm H <sub>2</sub> O
Filter efficiency for 0.2µm particle size:	approximately 99.99825 % (according to EN 1822-3)
Sterilization compatibility:	ETO-Gas, γ-irradiation up to 50 kGy (Cumulative)
<sup>1</sup> for an infusion set according to ISO 8536-4 with embedded air valve (Δp = 1 mH <sub>2</sub> O)	
<i>Remarks:</i>	
* Products are intended for single use. Multiple uses may affect technical properties adversely.	
* Specifications are for non-sterile products.	
* Specifications are provided for reference only. Injectech makes no guarantee of the above specifications and recommends that customers validate the suitability of products within their specific application	

TITLE Filtered Check Valve, 3/32" Barb to Male Luer Lock			
SIZE A	DWG NO FCV704332		REV
DRAWN	CH	DATE	5/27/2021
SCALE:	NTS		SHEET 1/1