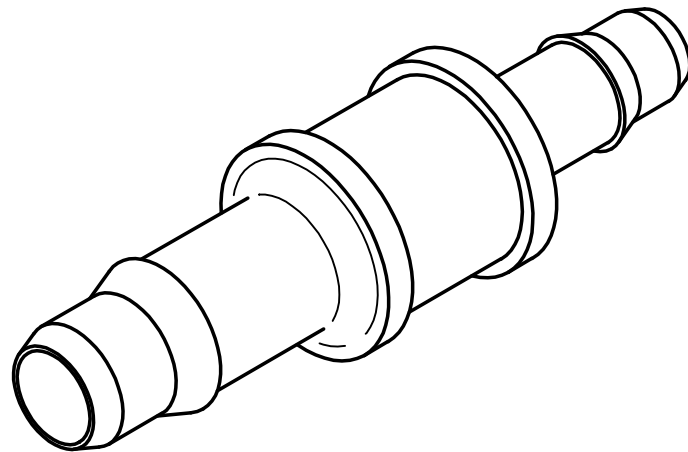



SECTION A-A



REFERENCE ONLY

 Injectotech	
TITLE Rigid Barb, Straight Reducing 1/8" to 3/32" Barb	
SIZE A	DWG NO CR18R332
KSS	DATE 01/24/2018
SCALE: NOT TO SCALE	SHEET 1 OF 1