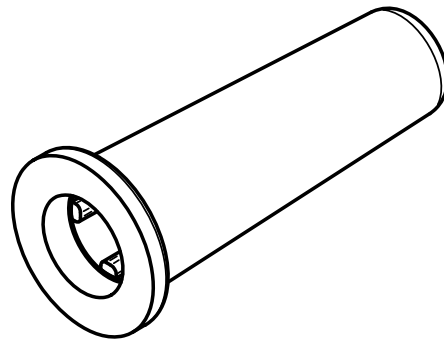



SECTION A-A



REFERENCE ONLY

 Injectotech	
TITLE Spike Cap	
SIZE A	DWG NO CP027-000
KSS	DATE 06/27/2017
SCALE: NOT TO SCALE	SHEET 1 OF 1