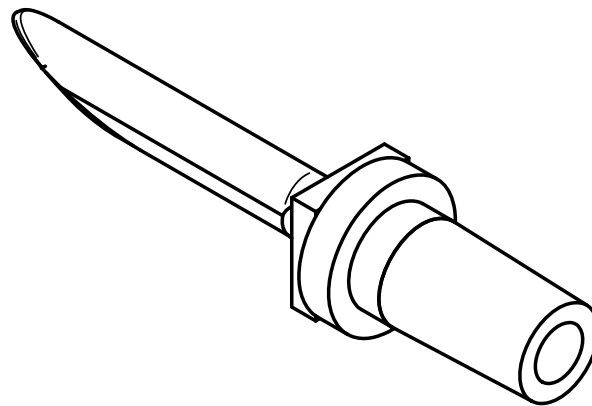



SECTION A-A



REFERENCE ONLY

 Injectech	
TITLE Spike to Male Slip Luer	
SIZE A	DWG NO EP026-006
KSS	DATE 06/27/2017
SCALE: NOT TO SCALE	SHEET 1 OF 1