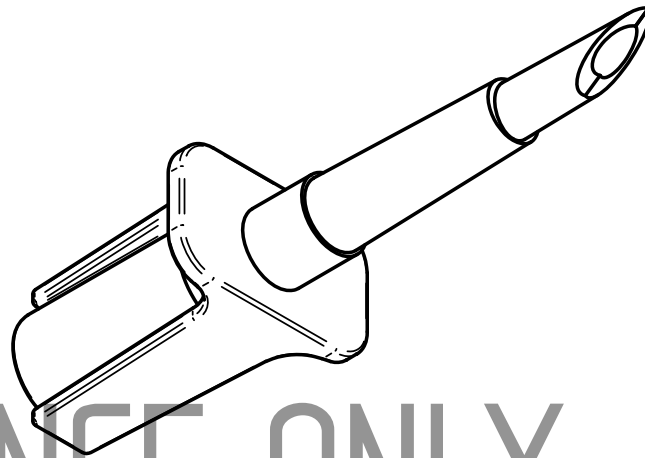



SECTION A-A



REFERENCE ONLY

 Injectech	
TITLE Spike to 1/4" OD Bond-in Port	
SIZE A	DWG NO EP024-001
KSS	DATE 06/27/2017
SCALE: NOT TO SCALE	SHEET 1 OF 1