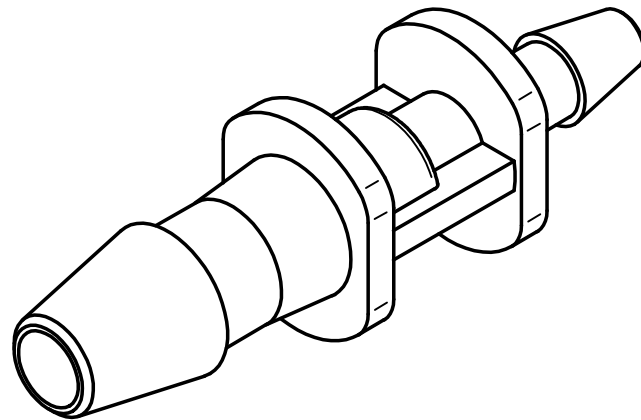


SECTION A-A



REFERENCE ONLY



TITLE
Rigid Barb, Straight Reducing 5/32" to 3/32" Barb

SIZE A	DWG NO C532R332
-----------	--------------------

KSS	DATE 01/24/2018
-----	--------------------

SCALE: NOT TO SCALE	SHEET 1 OF 1
---------------------	--------------