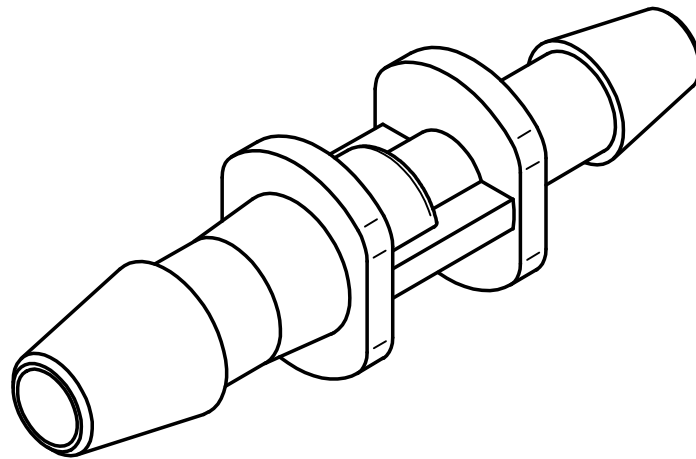



SECTION A-A



REFERENCE ONLY

 Injectech	
TITLE Straight Reducing 5/32" to 1/8" Barb	
SIZE A	DWG NO C532R18
KSS	DATE 01/24/2018
SCALE: NOT TO SCALE	SHEET 1 OF 1