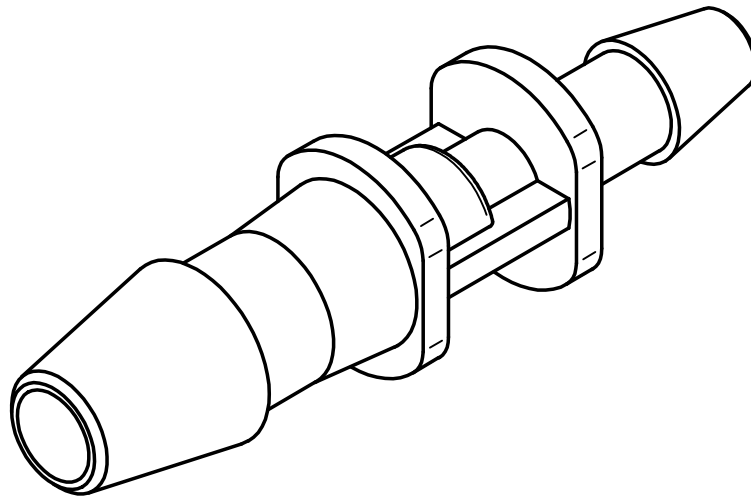


SECTION A-A



REFERENCE ONLY



TITLE
Straight Reducing Connector 3/16" to 1/8" Barbs

SIZE A	DWG NO E316R18
-----------	-------------------

DATE 01/24/2018

SCALE: NOT TO SCALE	SHEET 1 OF 1
---------------------	--------------