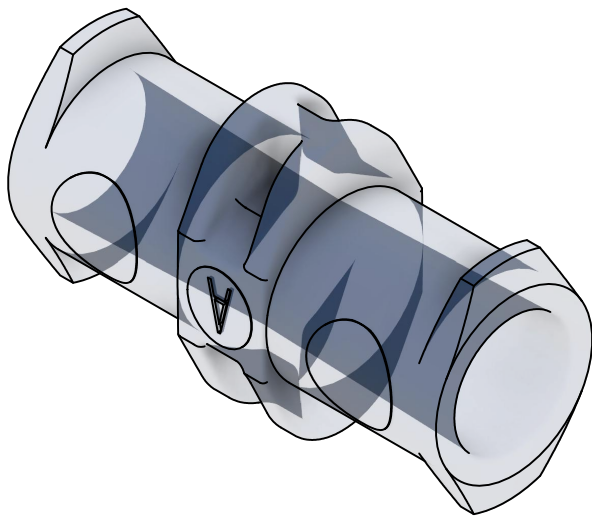



2X ISO 594/1 LUER TAPER

2X ISO 594/2 LUER LUGS

SECTION A-A



REFERENCE ONLY

			
TITLE Female Slip Luer Coupler			
SIZE A	DWG NO C0101	REV	
DRAWN	CH	DATE	5/26/2021
SCALE: NTS		SHEET 1/1	