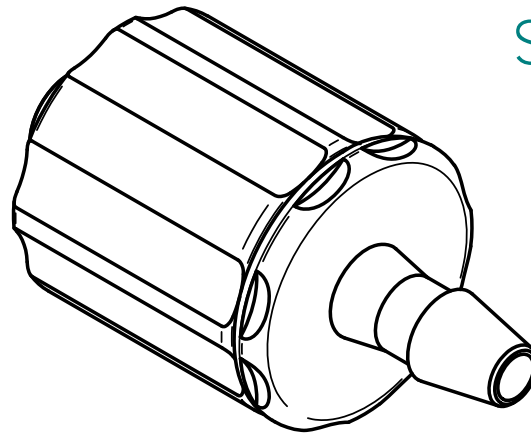


SECTION A-A



REFERENCE ONLY

| | |
|--|--------------------|
| | |
| TITLE Rotating Male Luer With Snap Ring to 3/32" Barb | |
| SIZE A | DWG NO A03R332 |
| KSS | DATE 06/27/2017 |
| SCALE: NOT TO SCALE | SHEET 1 OF 1 |