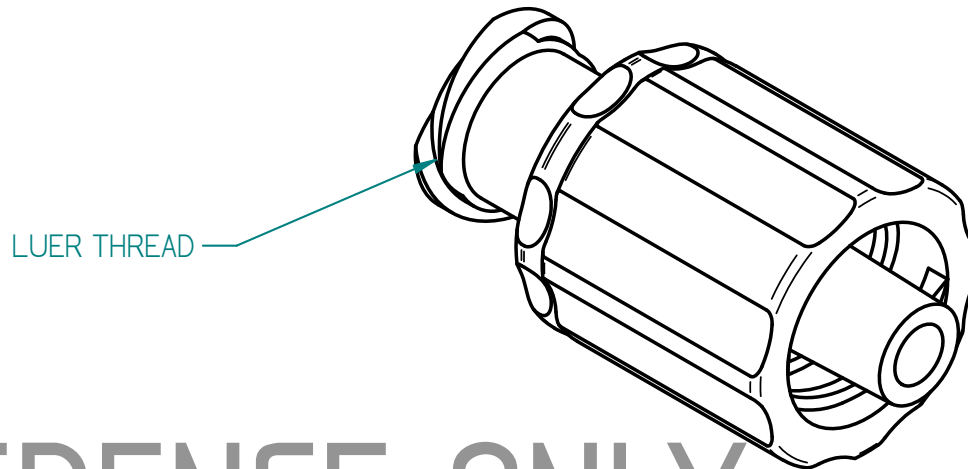



ISO 594/I LUER TAPER

LUER THREAD

SECTION A-A



REFERENCE ONLY

 Injectech	
TITLE Rotating Male Luer With Snap Ring to Female Luer Lock	
SIZE A	DWG NO A03R02C
KSS	DATE 06/27/2017
SCALE: NOT TO SCALE	SHEET 1 OF 1