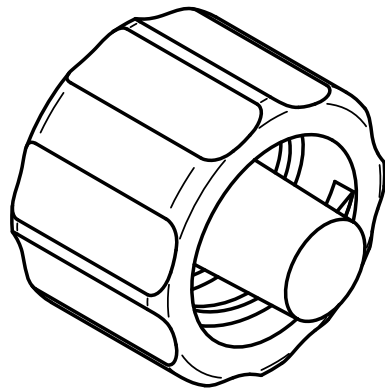



SECTION A-A



REFERENCE ONLY

 Injectech	
TITLE Male Luer Lock Plug, Closed Luer	
SIZE A	DWG NO 04PEL
KSS	DATE 06/27/2017
SCALE: NOT TO SCALE	SHEET 1 OF 1