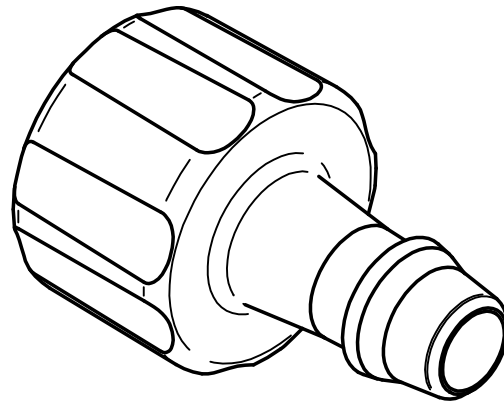



SECTION A-A



REFERENCE ONLY

 <b>Injectech</b>	
TITLE Male Luer Lock to 5/32" High Flow Barb; High Flow	
SIZE A	DWG NO 04HF532CP
KSS	DATE 01/23/2018
SCALE: NOT TO SCALE	SHEET 1 OF 1