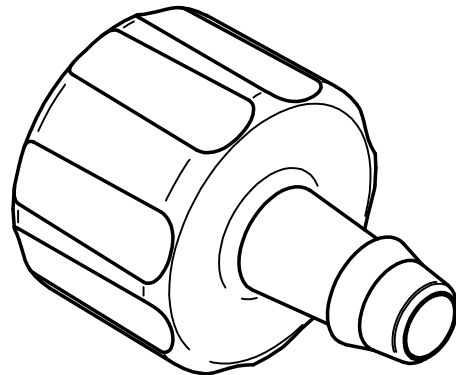



SECTION A-A



REFERENCE ONLY

 Injectech	
TITLE Male Luer Lock to 1/8" High Flow Barb	
SIZE A	DWG NO 04HF18
KSS	DATE 01/23/2018
SCALE: NOT TO SCALE	SHEET 1 OF 1