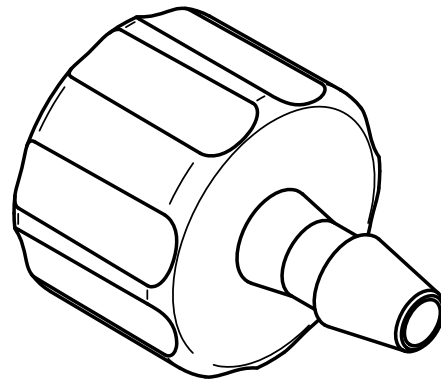



SECTION A-A



REFERENCE ONLY

 <b>Injectech</b>	
TITLE Male Luer Lock to 3/32" Barb	
SIZE A	DWG NO 04332
KSS	DATE 06/27/2017
SCALE: NOT TO SCALE	SHEET 1 OF 1