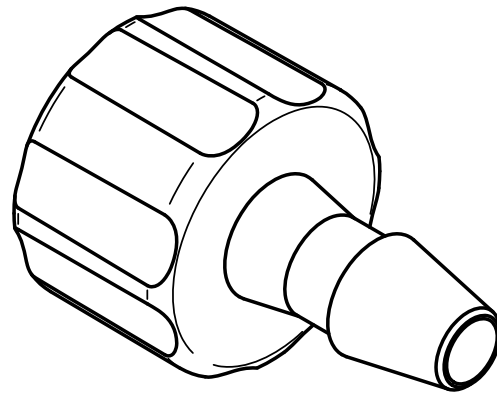



SECTION A-A



REFERENCE ONLY

 Injectech	
TITLE Male Luer Lock to 1/8" Barb	
SIZE A	DWG NO 0418
KSS	DATE 06/27/2017
SCALE: NOT TO SCALE	SHEET 1 OF 1