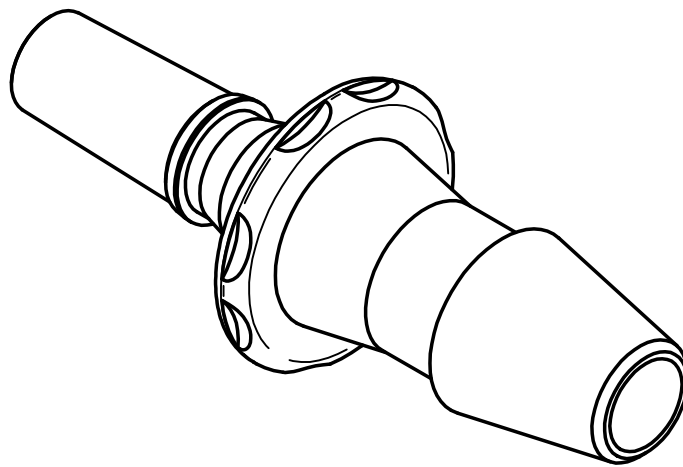



SECTION A-A



REFERENCE ONLY

| | |
|--|--------------------|
|  Injectech | |
| TITLE Rotating Male Luer to 3/16" Barb; High Flow | |
| SIZE A | DWG NO 03R316CP |
| KSS | DATE 01/23/2018 |
| SCALE: NOT TO SCALE | SHEET 1 OF 1 |