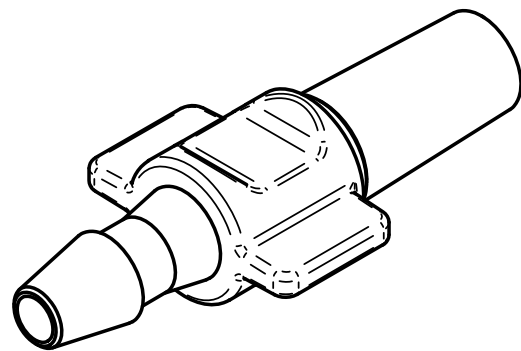



SECTION A-A



REFERENCE ONLY

 Injectech	
TITLE Male Slip Luer to 3/32" Barb	
SIZE A	DWG NO 03332
KSS	DATE 06/27/2017
SCALE: NOT TO SCALE	SHEET 1 OF 1