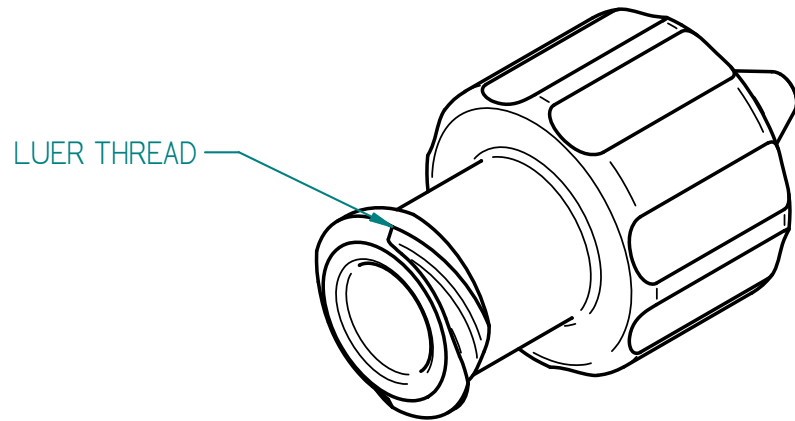



SECTION A-A



REFERENCE ONLY

 Injectech	
TITLE Female Luer Lock to Stylet	
SIZE A	DWG NO 02STY
KSS	DATE 06/27/2017
SCALE: NOT TO SCALE	SHEET 1 OF 1